

# High speed door

## PROTEC HS 502

# PROTEC



### Speed, Safety and Design combined in one of the most versatile high speed door designs

The main features of the PROTEC HS 502 are:

- For internal openings up to 5000 x 5000 mm
- Intelligent pressure recognition system
- Opening speed up to 2,3,4,5 m/s (d.size)
- Frequency converter control for smooth door movement
- Sustainability Plus: Additional insulated curtain and column seals available on request

To increase productivity in the Manufacturing, Logistics and Retail Industry, the frequency converter control system of the HS502 provides one of the fastest and smoothest door speeds which helps to regulate the flow of traffic and goods.

The door design can fit extra large openings throughout the building and is upgradable to meet each of the different opening requirements. An insulated curtain can be chosen help to regulate the temperature of a specific area and extra side seals can further limit air exchange between areas.

A digital print on the curtain can be applied for aesthetics, corporate identity or traffic regulation.

A variety of window arrangements are available to increase visibility, allow light to pass through the door, or monitor a process.

#### Key benefits



Safety



Cost-Savings

#### Break-away and Automatic Reset system

PROTEC high speed doors are equipped with a break-away and automatic reset system. The curtain reintroduces itself after a crash to reduce downtime and maintenance.

#### Completely safe

Two features make our doors completely safe

- The soft bottom profile has no rigid parts, it gives way should an obstruction be in the line of closing.
- If the door is hit, the fabric curtain absorbs the impact and releases itself from the side guides to limit damage to the door and surrounding area.

#### Intelligent Pressure Recognition System

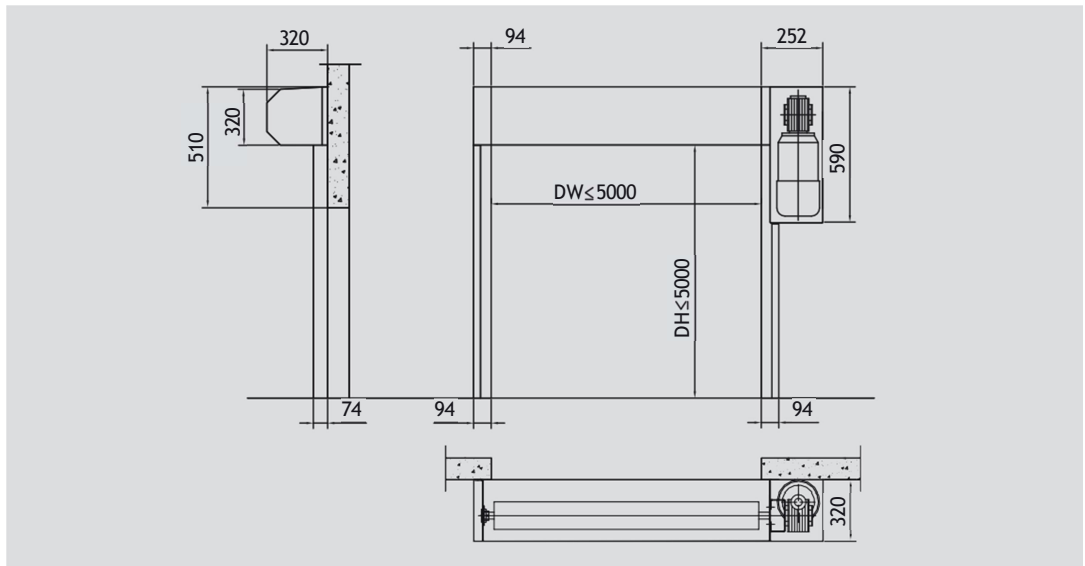
All doors are equipped with an intelligent pressure recognition system. The door differentiates if an object is located under the door or if wind or drafts are creating pressure on the door curtain. If a stationary object is detected the door reverts and stays in the open position. If a draft is creating resistance on the front or back of the curtain, the door actively closes against the draft.

#### Technical Data

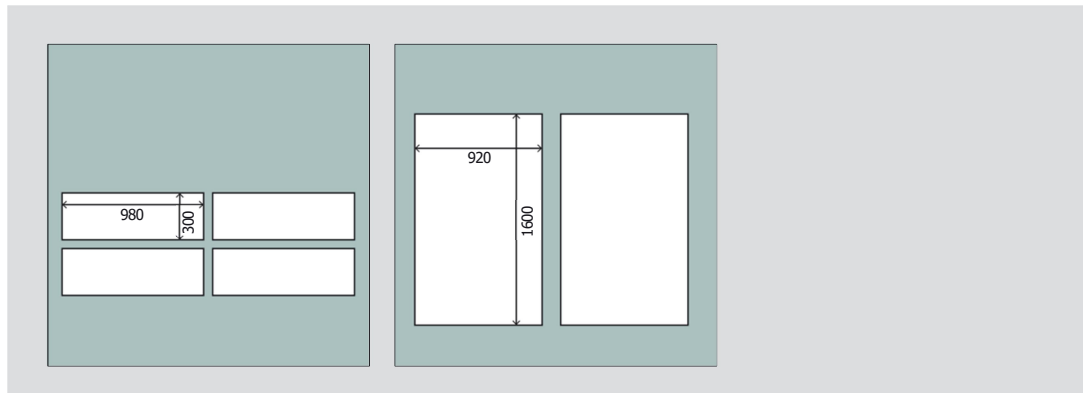
Min size (W x H)	900 x 1000 mm
Max size (W x H)	5000 x 5000 mm
Operating speed	opening: up to 2,3 m/s closing: up to 0,8 m/s
Wind load resistance, EN 12424	class 2: $W \leq 3000$ mm class 1: $W > 3000$ mm
Curtain material	PVC coated polyester fabric 0,7 mm - 900 g/m <sup>2</sup>
Thermal resistance coefficient	5,8 W/(m <sup>2</sup> K)
Noise reduction	900 g/m <sup>2</sup> : ~12 dB
Insulated curtain <sup>1)</sup>	3,5mm - 1300 g/m <sup>2</sup>
Thermal resistance coefficient	4,0 W/(m <sup>2</sup> K)
Noise reduction	1300 g/m <sup>2</sup> : ~17,5 dB

1) Optional

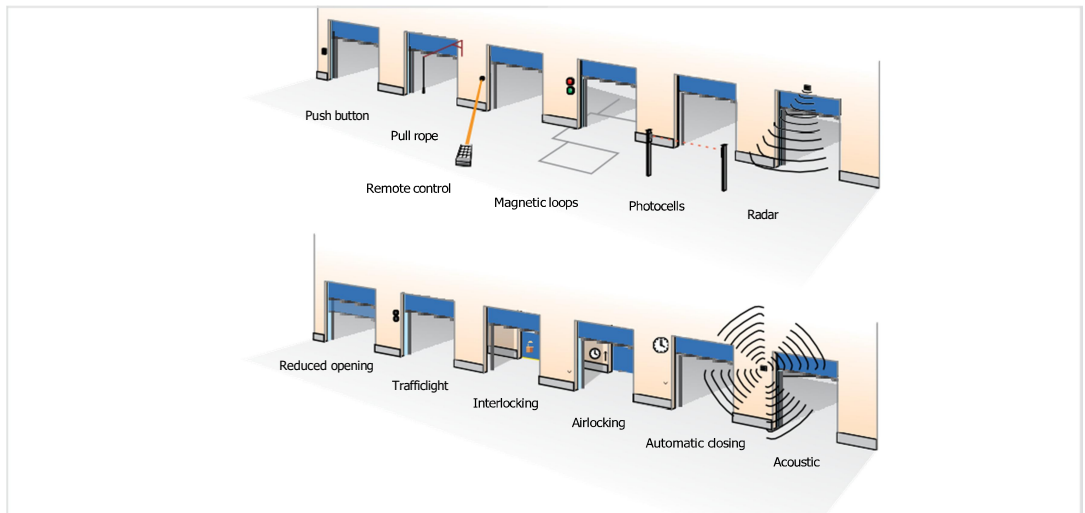
## Dimensional specifications



## Windows



## Options access and automation



Technical data subject to change without notice.

## Standard available colours

